

REVA: INITIAL RELEASE

D PROPRIETARY NOTICE

THE INFORMATION CONTAINED HEREON IS PROPRIETARY AND CONFIDENTIAL TO INVISIONS TECH. , AND SHALL NOT BE USED, COPIED, DISCLOSED OR DISSEMINATED IN WHOLE OR IN PART WITHOUT EXPLICIT WRITTEN PERMISSION FROM INVISIONS TECHNOLOGIES.

TABLE OF CONTENTS

SHEET DESCRIPTION

2	COMPONENT MUX
3	VIDEO DECODER
4	COMPONENT DTOA
5	MICROCONTROLLER
6	VIDEO DECODER FIRMWARE
7	POWER SUPPLY
8	INPUT/OUTPUT CONNECTORS
9	DECOUPLING CAPACITORS

INVISIONS TECHNOLOGY

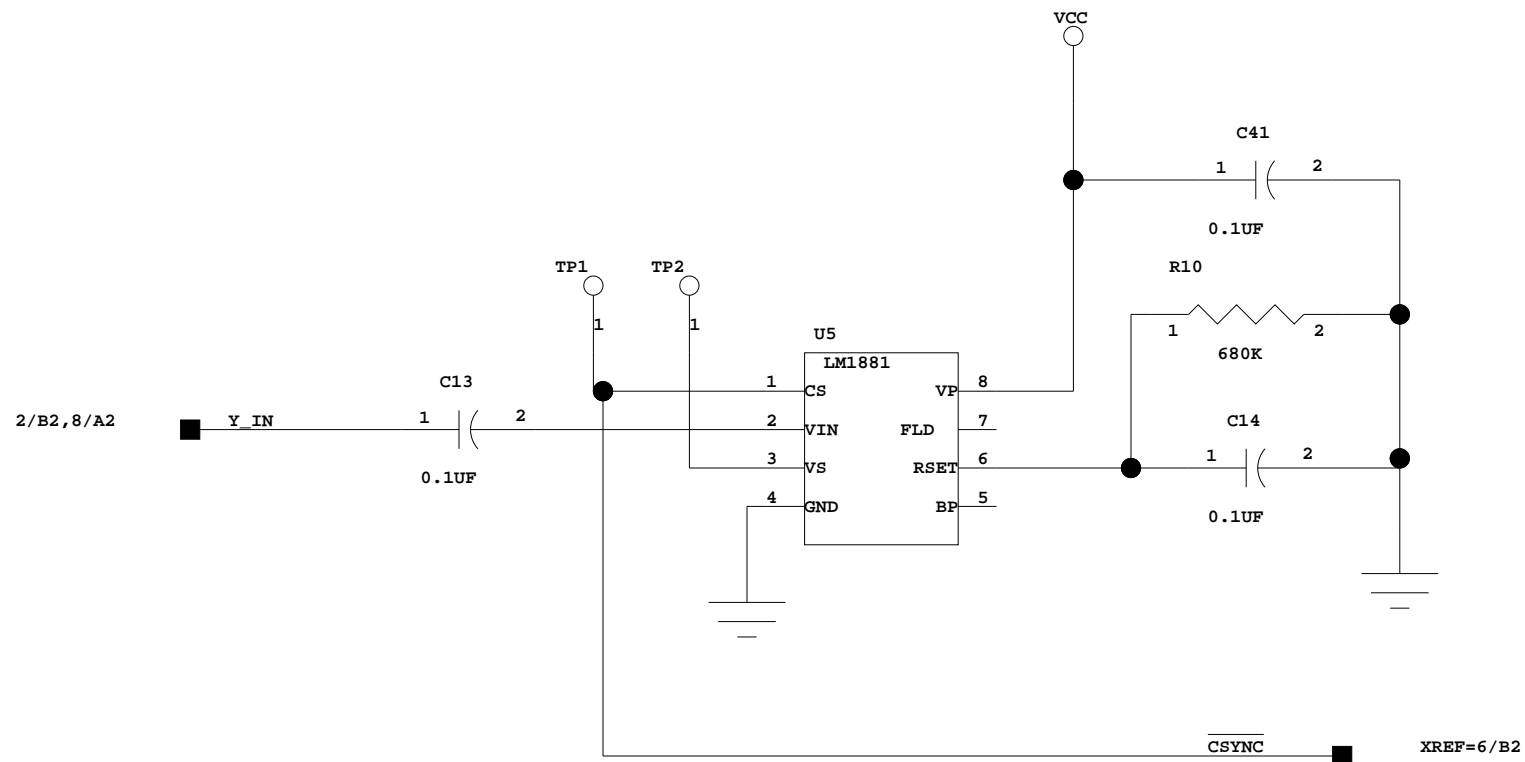
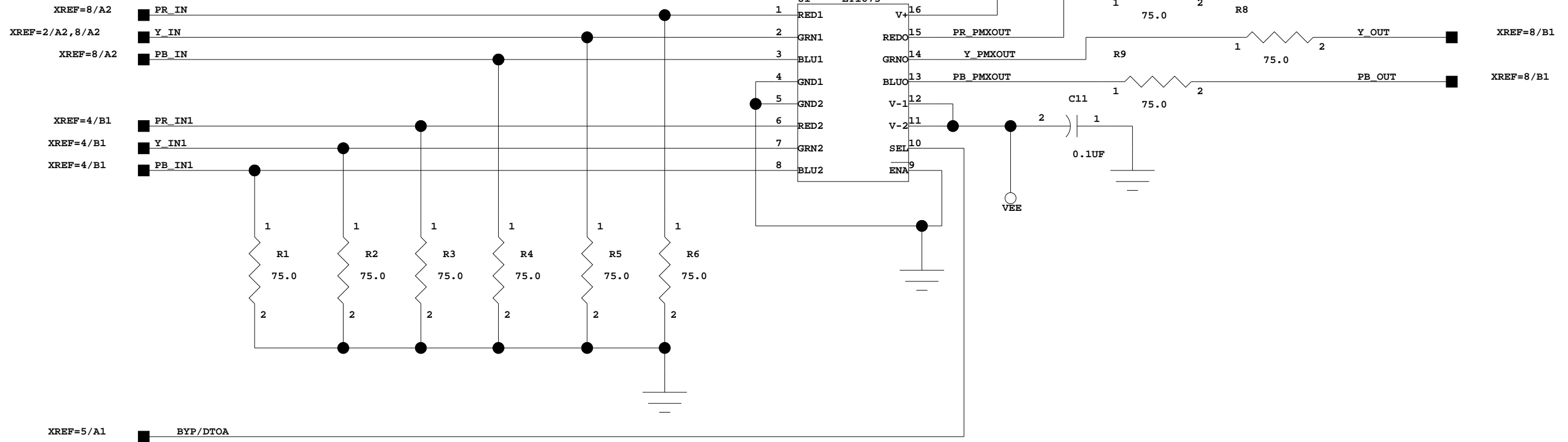
SCHEMATIC DIAGRAM,

BLOCK DIAGRAM

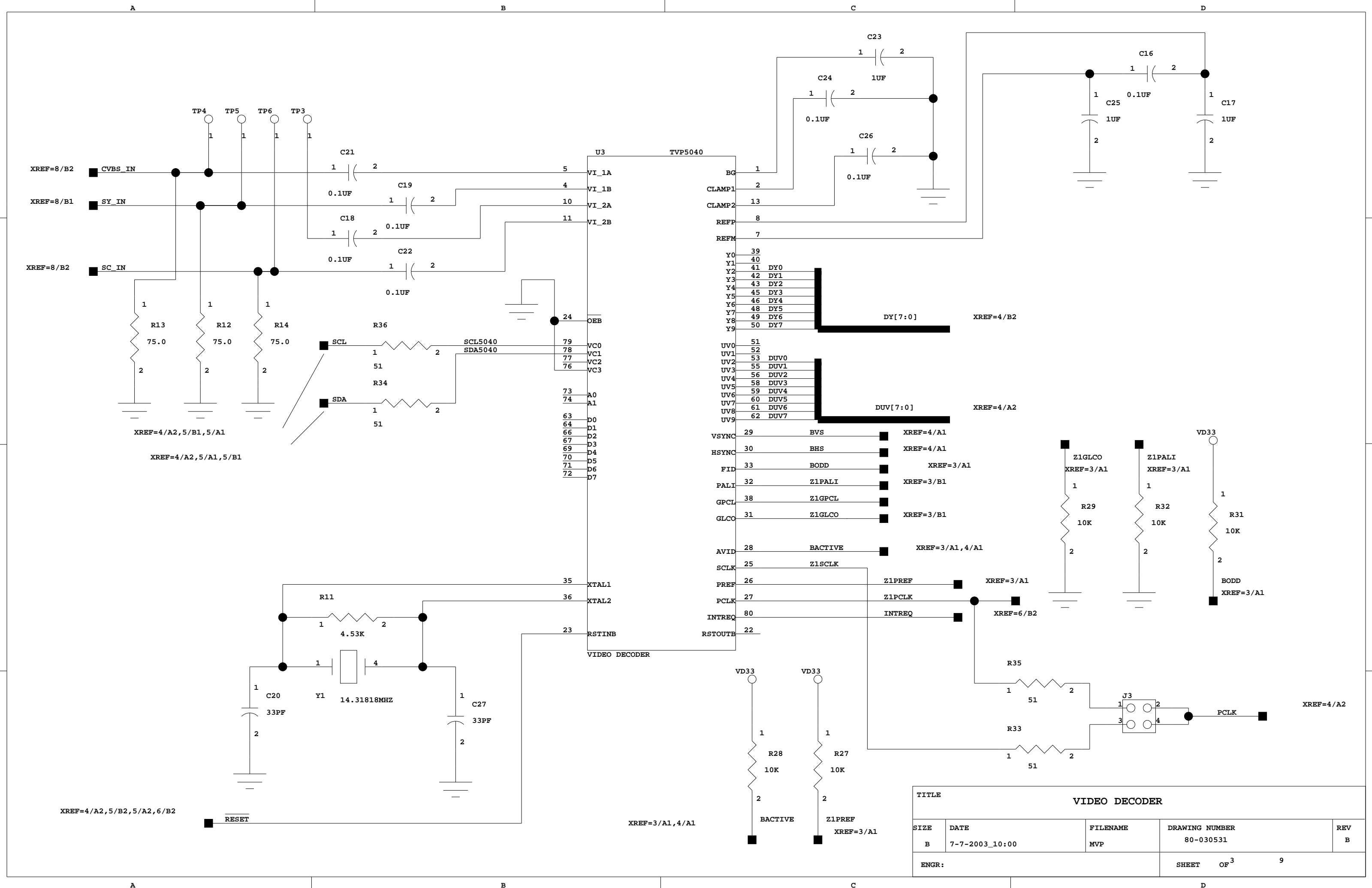
CAD
ENGR
MFG
QC
APVD

SIZE	DATE	FILENAME	DRAWING NUMBER	REV
B	6-6-2003_7:39	MVP	80-030531	B
ENGR:			SHEET OF ¹	9

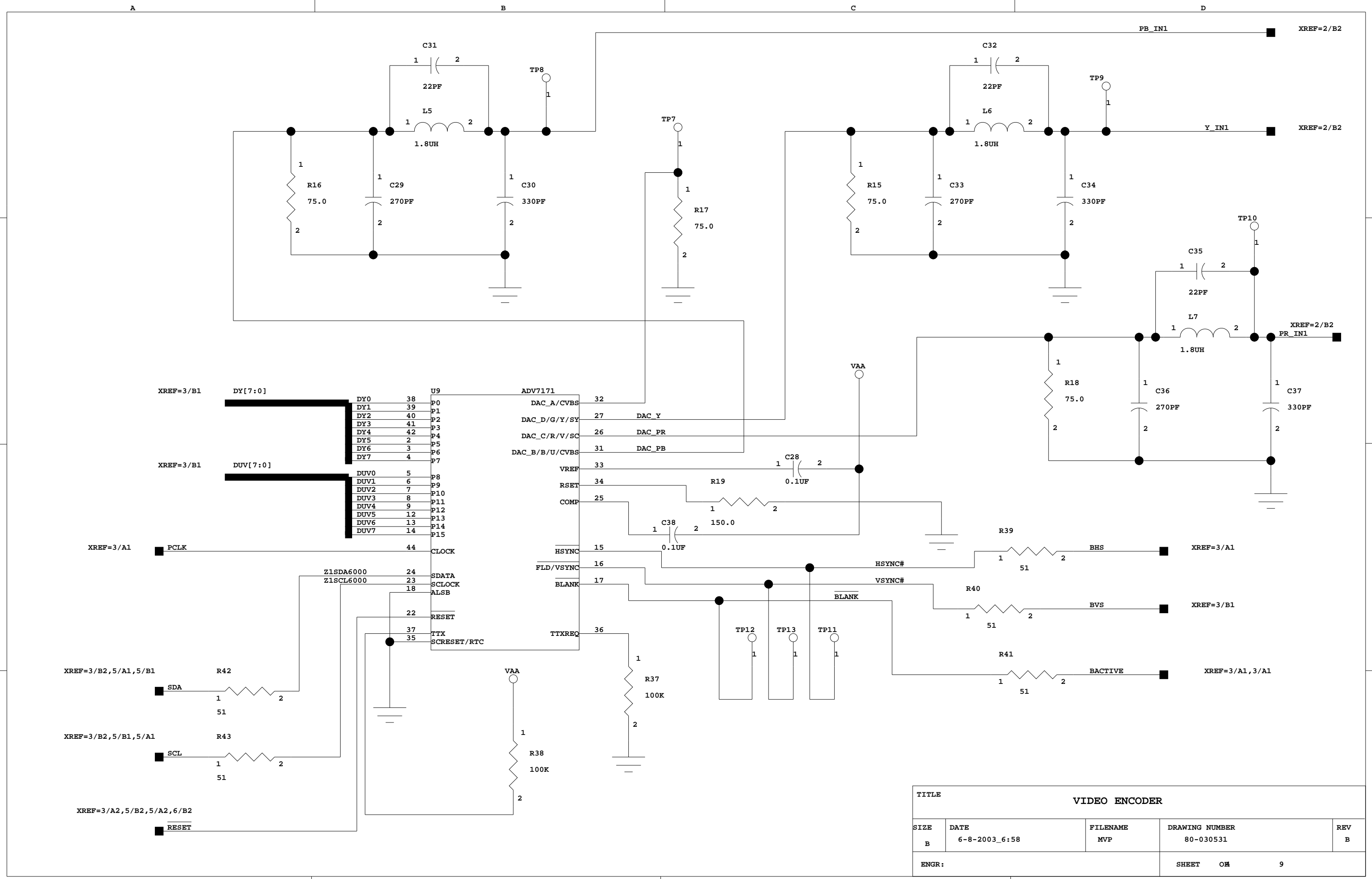
COMPONENT INPUT VIDEO



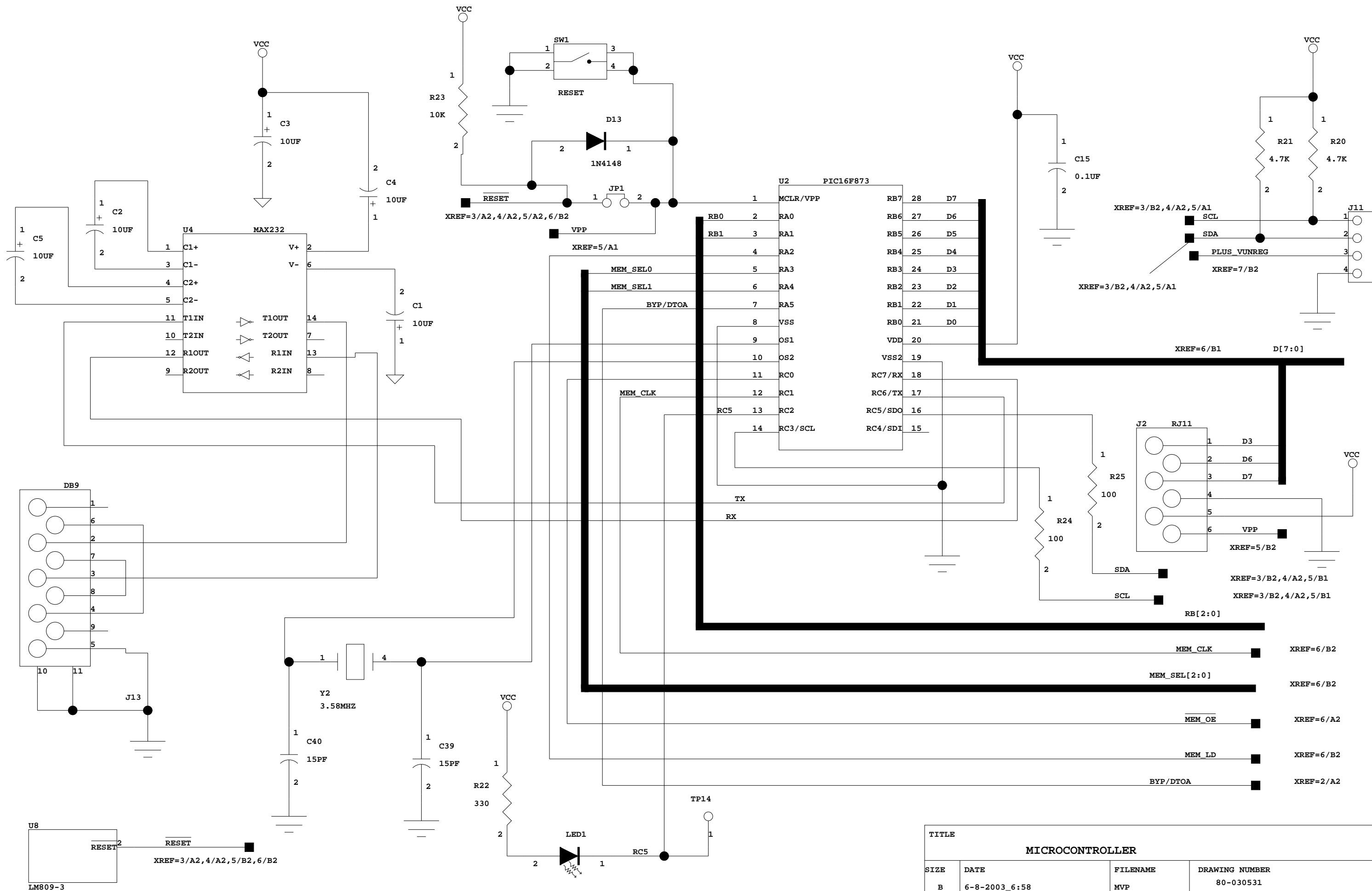
TITLE				
COMPONENT MUX & SYNC SEPERATOR				
SIZE	DATE	FILENAME	DRAWING NUMBER	REV
B	6-6-2003_13:06	MVP	80-030531	B
ENGR:			SHEET OF	9



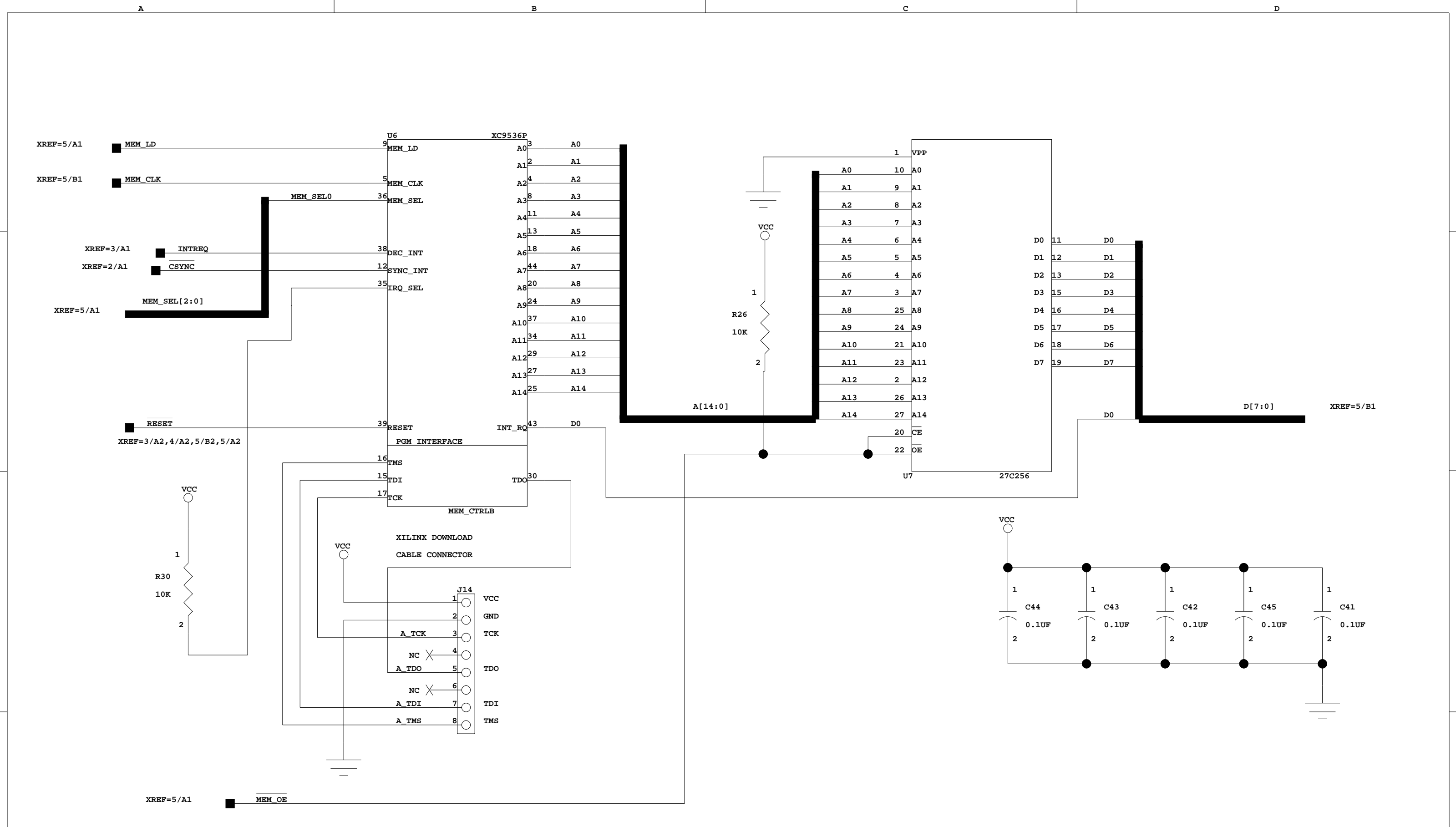
TITLE				
VIDEO DECODER				
SIZE	DATE	FILENAME	DRAWING NUMBER	REV
B	7-7-2003_10:00	MVP	80-030531	B
ENGR:			SHEET	OF ³ 9



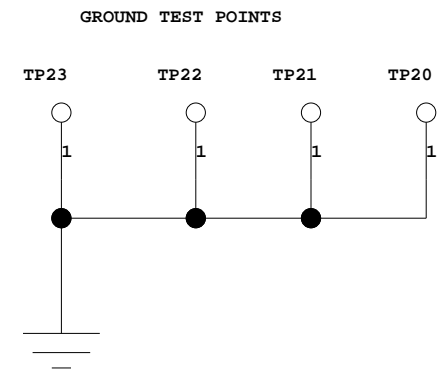
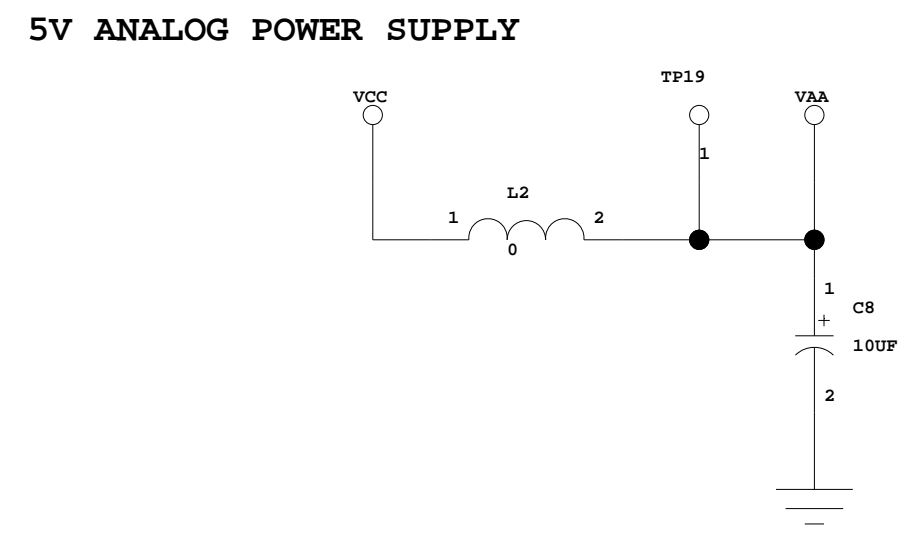
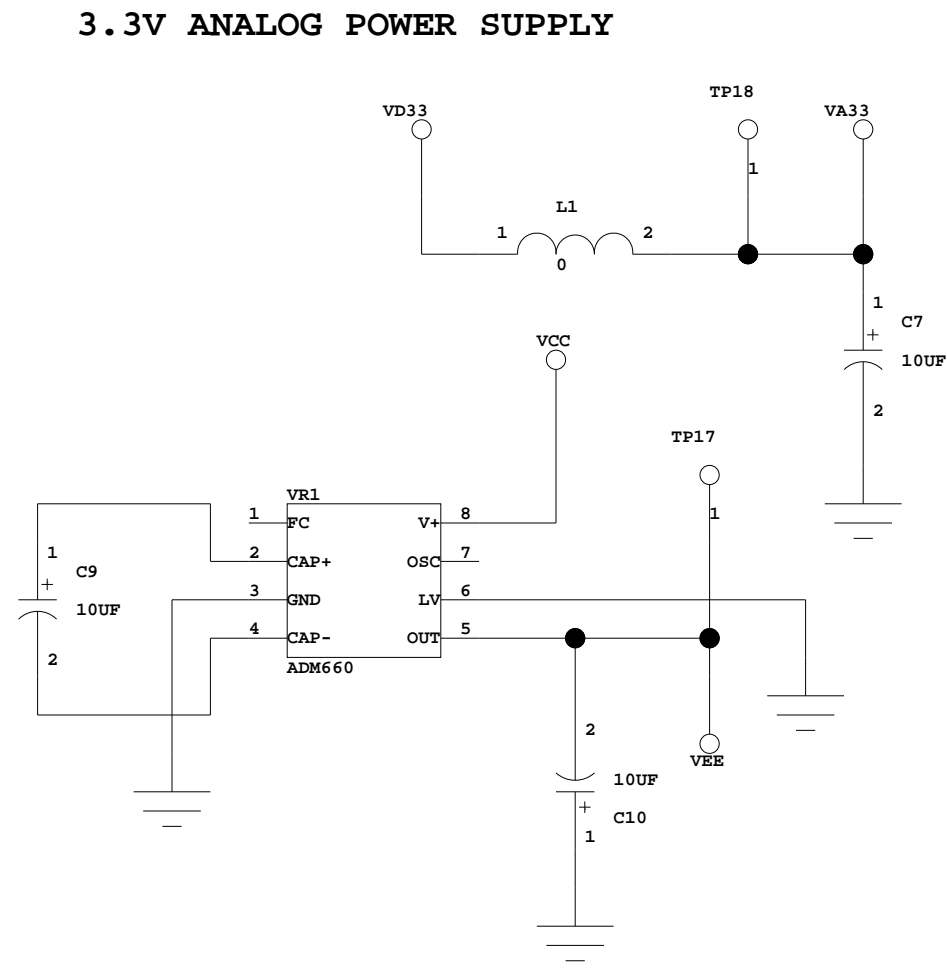
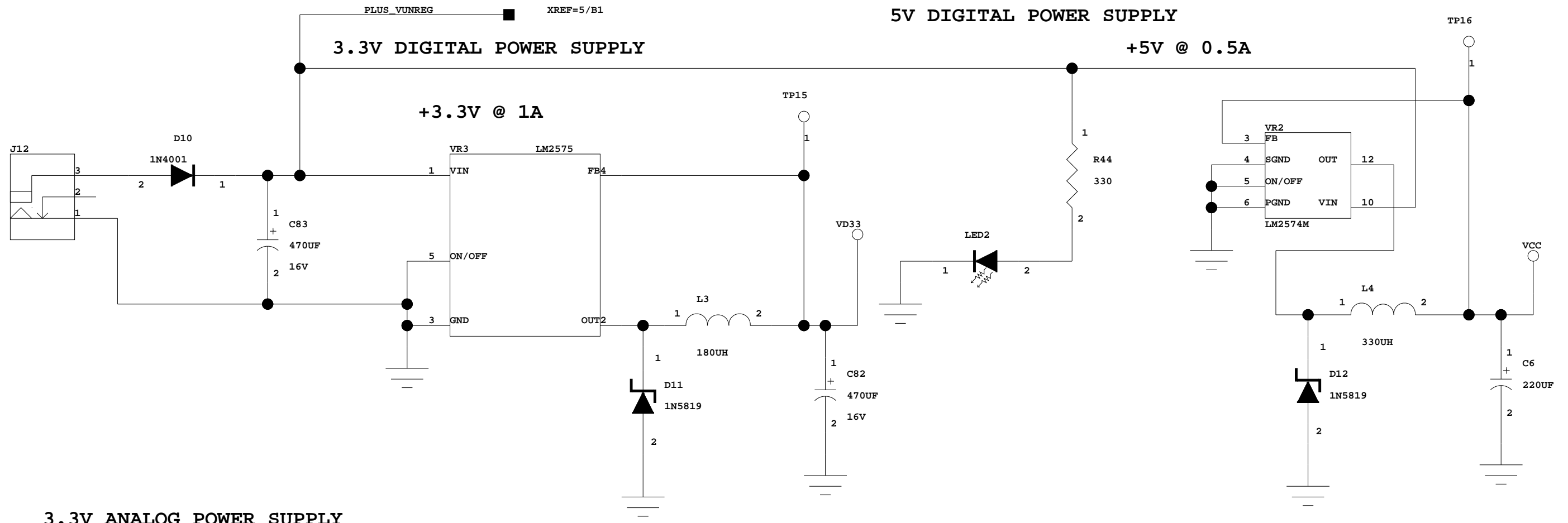
TITLE				
VIDEO ENCODER				
SIZE	DATE	FILENAME	DRAWING NUMBER	REV
B	6-8-2003_6:58	MVP	80-030531	B
ENGR:			SHEET	9



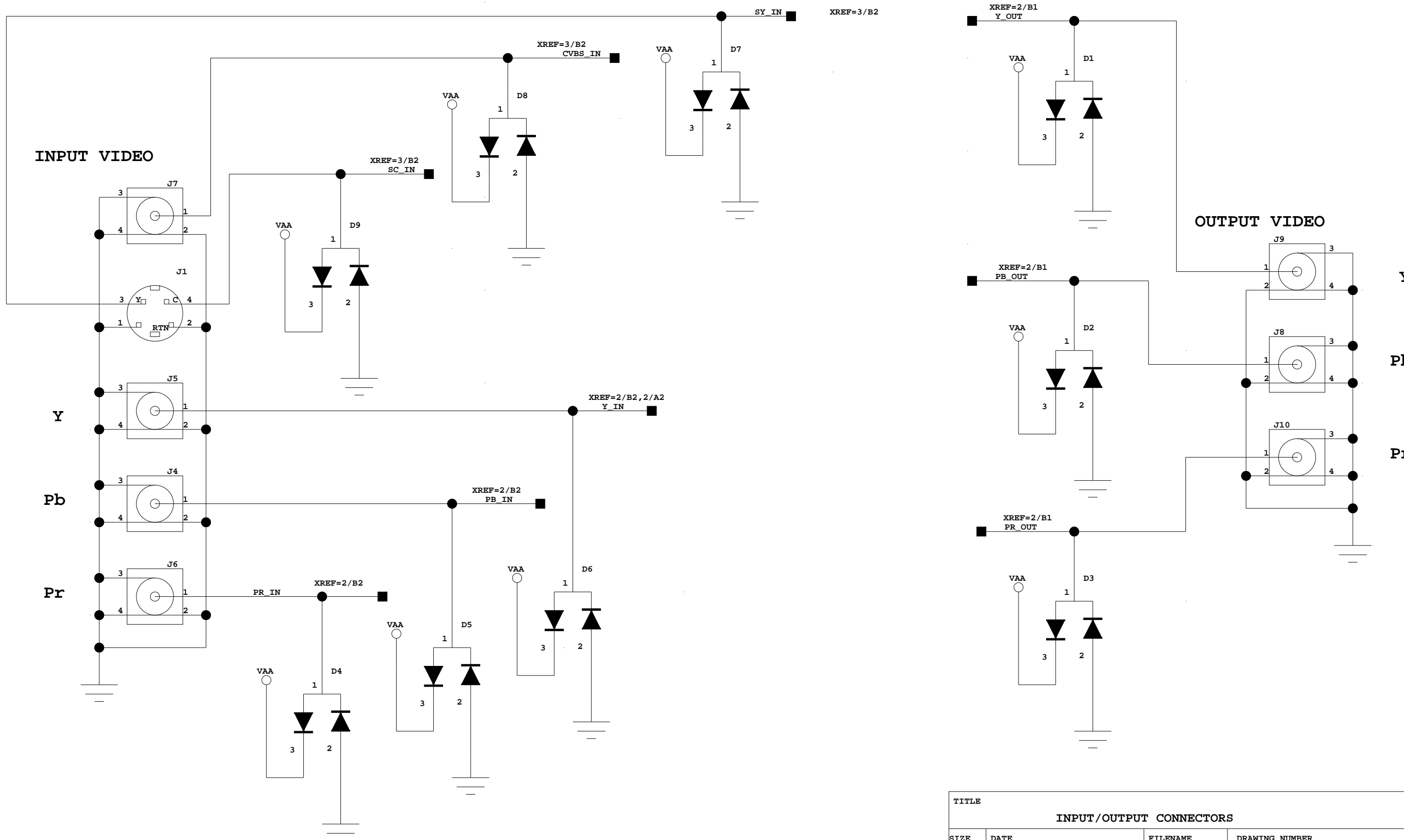
TITLE				
MICROCONTROLLER				
SIZE	DATE	FILENAME	DRAWING NUMBER	REV
B	6-8-2003_6:58	MVP	80-030531	B
ENGR:			SHEET OF ⁵	9



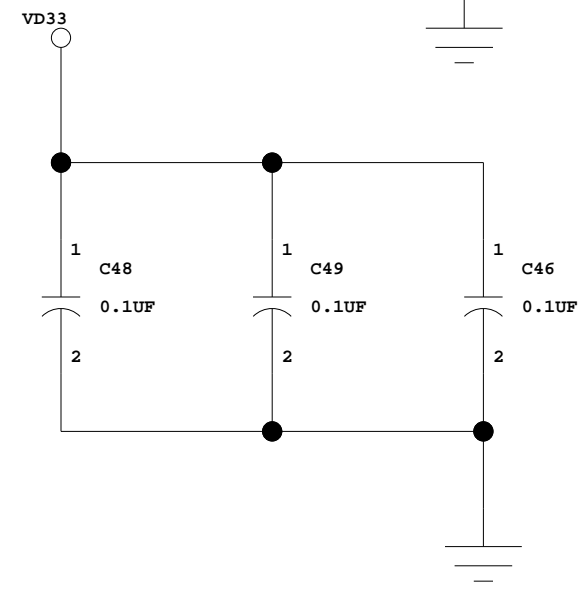
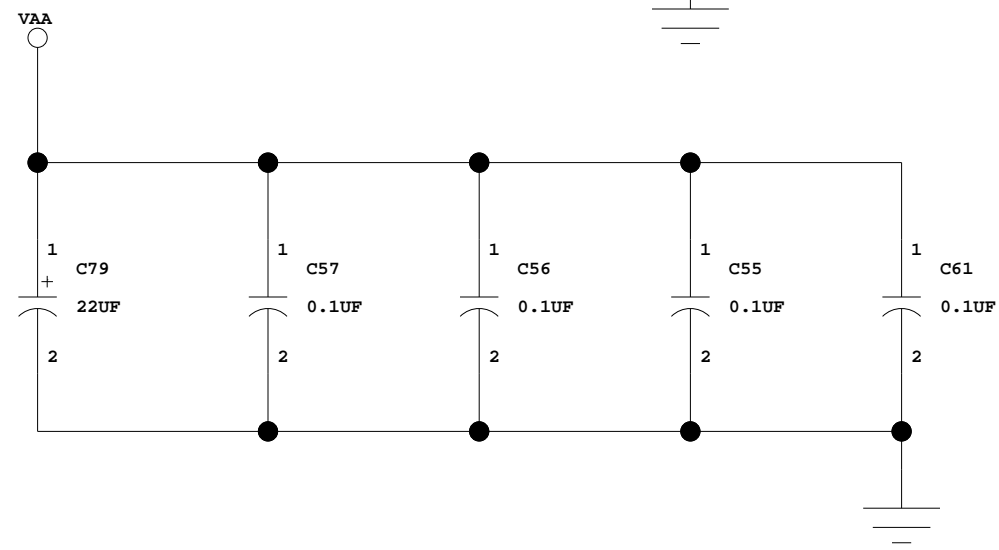
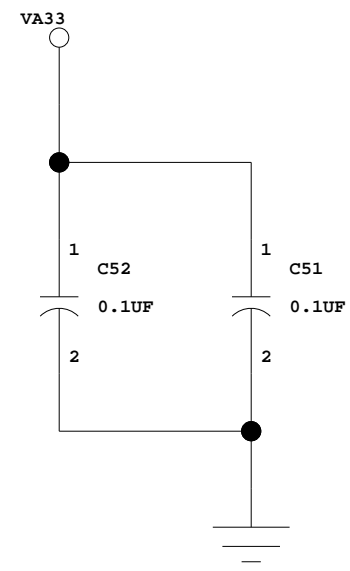
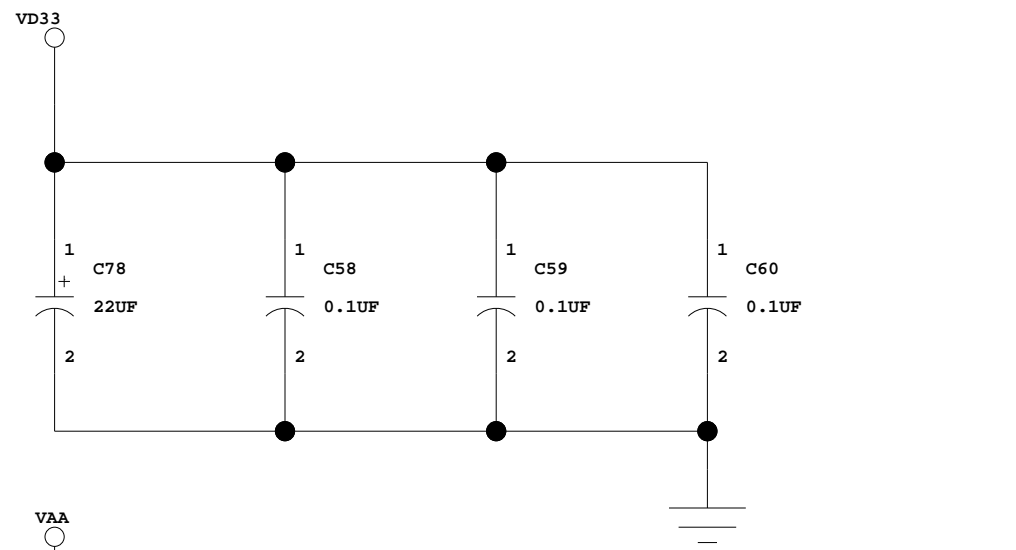
TITLE				
VIDEO DECODER PROCESSOR CODE				
SIZE	DATE	FILENAME	DRAWING NUMBER	REV
B	7-7-2003_10:54	MVP	80-030531	B
ENGR:			SHEET	05 9



TITLE					POWER SUPPLY				
SIZE	DATE	FILENAME	DRAWING NUMBER	REV					
B	7-8-2003_9:22	MVP	80-030531	B					
ENGR:			SHEET	OF	9				



TITLE				
INPUT/OUTPUT CONNECTORS				
SIZE	DATE	FILENAME	DRAWING NUMBER	REV
B	6-6-2003_11:44	MVP	80-030531	B
ENGR:			SHEET OF 8 9	



TITLE				
DECOUPLING CAPACITORS				
SIZE	DATE	FILENAME	DRAWING NUMBER	REV
B	6-8-2003_6:58	MVP	80-030531	B
ENGR:			SHEET	OF ⁹ 9